

Aquarius Dual Chemical Dosing Units

The Problem

In building services the water quality of various pumped fluid systems, including heating, cooling, and condenser water, need to be regularly checked and topped up with chemicals as required to suit the required water quality.

Most commonly inhibitors will be added to protect the pipework and system components against corrosion, or a biocide will be added to inhibit the growth of bacteria in lower temperature systems. The required chemicals can usually be added to the fluid system by use of a dosing pot, but this is generally a reactive form of treatment rather than preventative.

The Solution

Goodwater's range of dual chemical dosing sets can be used to automatically dose a combination of chemicals into a system without the need for a dosing pot.

From inhibitors and biocides, to pH correction and alkalinity builders, the dosing sets can be configured to suit various applications.



Tekna TCK Dosing Pump

Key Features

The Aquarius Dual Dosing Unit comprises the following as standard:

- Purpose built polypropylene skid – two sizes available, to suit either 25L chemical drums or 50L dosing tanks
- Programmable timer controlled dosing pumps (see below for pump characteristics)
- Chemical suction lances c/w low level alarm switches
- 50L natural MDPE dosing tanks (for 50L dosing unit)
- Multifunction valves
- ½" injection non-return valves
- Volt free alarm output from each dosing pump, for common faults incl. low chemical level
- Optional lockable lid

Your Goodwater consultant will be able to help with the sizing of the unit.

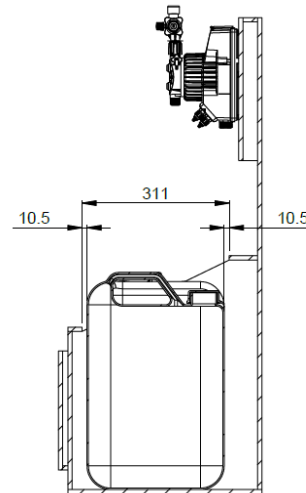
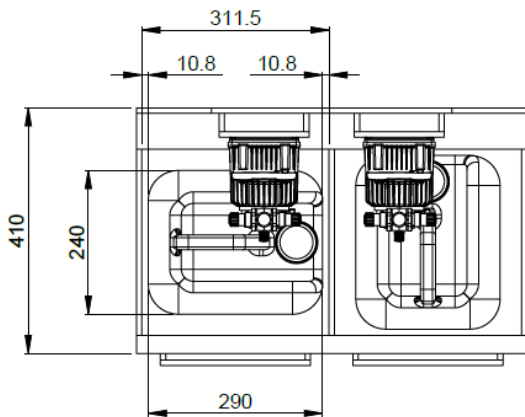
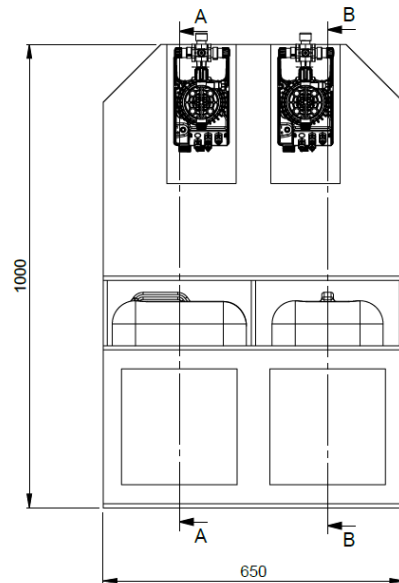
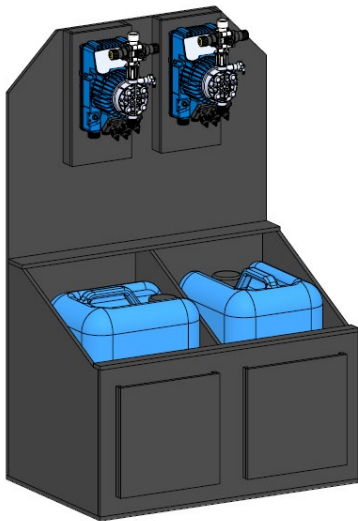
Pump Characteristics:

- Tekna TCK series digital dosing pump with constant flow rate, timed dosing with weekly programmable timer
- Flow rates: from 2.5 to 18L/hr*
- Max pressure: up to 20 bar*
- PVDF pump head, PTFE diaphragm, FPM/EPDM seals
- Power supply: 100-240V 50/60Hz

**dependent on pump model*

Aquarius Dual Chemical Dosing Units

Drawings – 25L Unit



Aquarius Dual Chemical Dosing Units

Drawings – 50L Unit

